

Product Information Projection Awning Tenda C

Harmonious facade design due to fashionable box design
Tailor-made light-, view- and sun protection for every winter garden
Also available in trapezium shape or as linked set
Up-to-date colours and large variety of designs
Convenient motor drive



Projection awning Tenda C

Blind with counter-draw system for installation on slanted glazing. Perfect for sun protection with winter gardens, glassed-in roofs and pergola-type structures. Also available as trapezoid unit or linked set.



Top view

1... Extension H

Front view

1... Dimension between axes A
 2... Width B
 3... Excess length on the left side ÜL
 4... Excess length on the right side ÜR

Wall connection profile (complete rain shelter)
 Made from aluminium, as a clean border to the wall.

Limit sizes

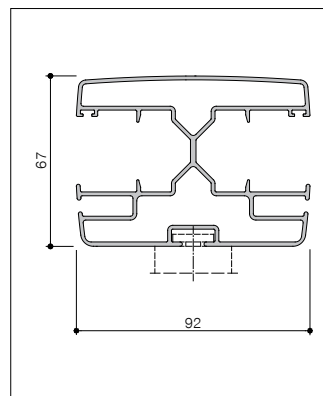
Max. width (mm) - single unit							
Basic	Allweather	Liberty	Sunsilk	Reflect	Firemaster	Soltis	Twilight
7000	7000	7000	5000	7000	7000	5000	5000

Max. extension (mm)							
Basic	Allweather	Liberty	Sunsilk	Reflect	Firemaster	Soltis	Twilight
4500	4500	3500	4500	4500	4500	3400	3400

Number of brackets

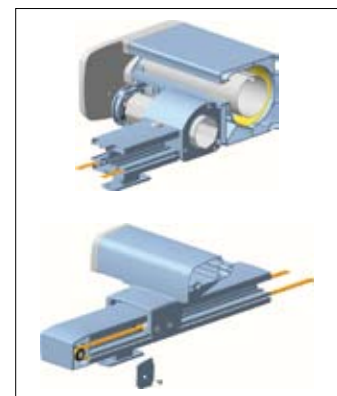
Extension	Brackets per side guide rail (bracket height ≤ 250)
up to 2500	2
up to 4500	3

Extension	Brackets per side guide rail (bracket height > 250)
up to 2000	2
up to 3500	3
up to 4500	4



Side guide rail

Made from extruded aluminium;
 dim. 92 x 67 mm



Tensioning system - counter-draw

The SOMFY FTS-system, at any time guaranteeing an optimum tensioning of the fabric, is used as counter-draw system. It consists of two drives and one control device.

Qualified company:

Head Office:
HELLA Sonnen- und Wetterschutztechnik GmbH
 A-9913 Abfaltersbach 125
T. +43 (0)4846 / 65 55-0
F. +43 (0)4846 / 65 55-134
E: office@hella.info

www.hella.info