

Product Information Vertical Awnings

Perfect heat and anti-glare protection due to reflection
of the radiated heat in front of the facade
Variable sunscreen for terraces, balconies or winter gardens
Also suitable for monitor screen working stations
Up-to-date colours and large variety of designs



Models



SM 101 - Vertical awning with guide rails



SM 102 - Vertical awning with guide rails + extension device



SM 103 - Vertical awning with wire tensioning system



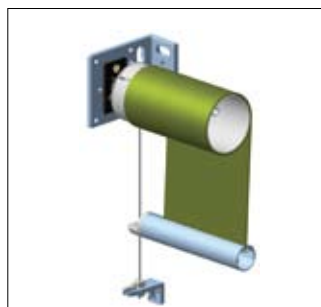
SM 104 - Vertical awning with rod tensioning system

Limit sizes

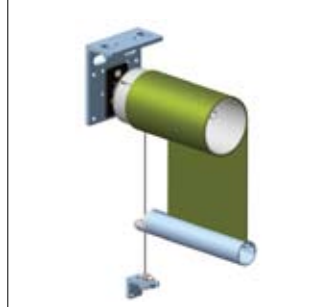
Inside	Max. surface (m ²)	Min. width (mm)	Max. width (mm)	Min. height (mm)	Max. height (mm)
Crank handle drive	22	400	5500	500	4000
Standard motor drive	30	600	7000	500	5000
Radio-controlled drive	30	880	7000	500	5000
Crank hdl. drive, linked	40		11000	500	4000
Motor drive, linked	50		14000	500	5000

Outside	Max. surface (m ²)	Min. width (mm)	Max. width (mm)	Min. height (mm)	Max. height (mm)
Crank handle drive	9	400	5000	500	3000
Standard motor drive	9	600	5000	500	3000
Radio-controlled drive	9	880	5000	500	3000
Linked	18		10000	500	3000

Tensioning options



Tensioning bracket mounted towards the back



Tensioning bracket mounted laterally



Tensioning shoe

Installation details

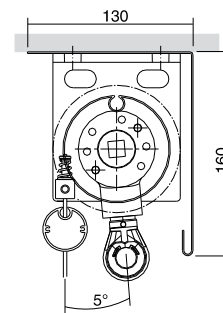


Fig. Vertical installation
Mounting bracket mounted towards the top

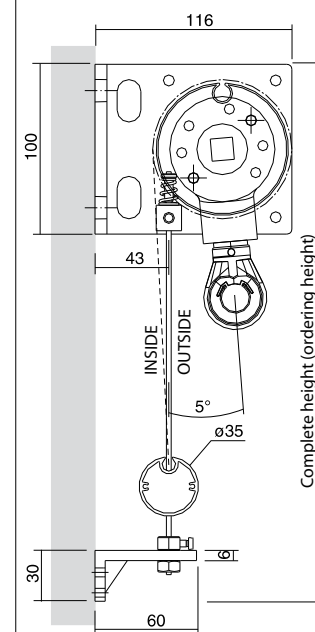


Fig. Installation of the bracket towards the back

ATTENTION:
Linking of max. 2 units possible!

Qualified company:

Head Office:
HELLA Sonnen- und Wetterschutztechnik GmbH
A-9913 Abfaltersbach 125
T. +43 (0)4846 / 65 55-0
F. +43 (0)4846 / 65 55-134
E: office@hella.info

www.hella.info