

# Product Information Half-Cassette Awning Picco

- Fresh design, harmonious overall impression
- Protection of the fabric and the arms by the half-cassette
- Excellent price-performance ratio
- Up-to-date colours and numerous designs
- Easy operation



## Design description

### Stay pipe

40 x 40 mm, made from galvanized and powder-coated steel.

### Cartridge

Made from extruded aluminium, in one piece, powder-coated; encompasses the fabric roll shaft with approx. 200°.

### Articulated arms

Made from extruded aluminium, with negative camber, powder-coated. Magic-Flex tape with inlying noise-reduced special springs.

### Fabric roll shaft

Made from galvanized steel, Ø 85 mm.

### Extension profile

Made from extruded, powder-coated aluminium, to integrate the fabric.

### Brackets

With integrated inclination adjustment made from extruded and powder-coated aluminium.

### Inclination adjustment

Via adjusting screw continuously adjustable from approx. 5° to approx. 45°.

### Drive options

#### a) Crank handle drive

With limit stop and freewheel, using a crank rod with ball hook; length of the crank handle 1200, 1400, 1800 or special length up to 3000 mm.

#### b) Motor drive

Via tubular motor (230 V/50 Hz) with torque cut-off, pushed into the fabric roll shaft, VDE-and TÜV-certified. Optionally available with integrated radio receiver.

### Custom-made fabric

Acc. to current range. Width of the custom-made fabric = complete width - 136 mm. Tolerances in length acc. to EN13561.

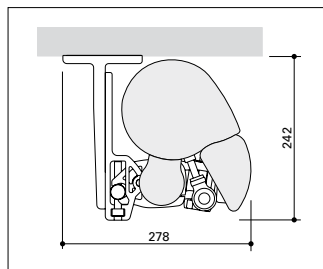
### Installation options

Installation to the wall, the ceiling or the rafter.

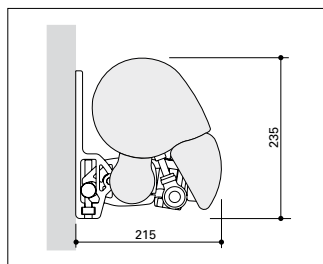
### Colours

Frame colours: RAL 9016 (normal white) or RAL 9006 (white-aluminium) BiColor colour combinations available acc. to the table below.

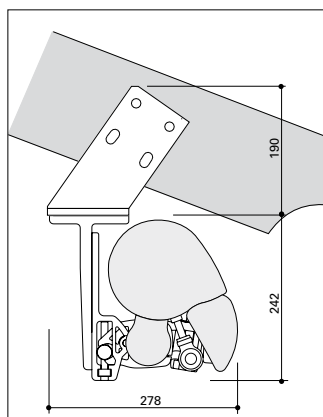
## Installation options



Ceiling installation



Wall installation



Rafter installation



<b>Max. width:</b>	
Single unit	6.0 m
Linked set	-
<b>Max. extension:</b>	
Single unit	3.0 m
Linked set	-
<b>Design:</b>	Half cassette
<b>Articulated arm:</b>	Fibre glass tape
Extruded aluminium, hinges made from cast aluminium.	
<b>Inclination:</b>	
Range of adjustment	5° - 45°
<b>Variomatic:</b>	
(with single units) Variable inclination adjustment up to an extension of 3.5 m	-
<b>VarioPlus Roller Blind:</b>	
(with single units) up to an extension of 3.5 m	-
<b>Coupleable:</b>	-
<b>Flounce:</b>	-
5 different forms, all fabric designs	
<b>Arm covering profile:</b>	-
<b>Wall connection profile:</b>	-
<b>Protection cover:</b>	
For open awning	-
<b>Frame colours:</b>	
<b>a) Standard:</b>	
RAL 9016 White	✓
RAL 9006 Silver	✓
<b>b) Special colours:</b>	-
Standard colours acc. to our RAL classic colour chart are available without surcharge.	
Special colours acc. to the RAL classic colour chart, such as pearl effect, metallic or fluorescent colours, as well as special colours acc. to other colour charts (e.g. DB, TIGER, NCS, Sikkens, etc.) on request.	-
<b>Fixing:</b>	
Wall bracket (on concrete I)	✓
Ceiling bracket	+
Rafter bracket	+

## BiColor colour combinations

Colours of the end caps (similar to RAL)	Frame colours	
	Normal white (RAL 9016)	White-aluminium (RAL 9006)
White	Standard	14
Yellow	1	15
Red	2	16
Blue	3	17
Dusty grey	11	Standard
Dark-grey	12	18
Green	13	19

## Minimum widths

Extension (mm)	1500	2000	2500	3000
Single unit (crank handle drive)	1950	2450	2950	3450
Single unit (motor drive)	1850	2350	2850	3350

✓ Included in the delivery  
+ Surcharge  
- not available

Qualified company:

**Head Office:**  
HELLA Sonnen- und Wetterschutztechnik GmbH  
A-9913 Abfaltersbach 125  
T. +43 (0)4846 / 65 55-0  
F. +43 (0)4846 / 65 55-134  
E: office@hella.info

www.hella.info