

# Product Information **Cassette Awning Olympian**

- Fresh design, fashionable overall impression
- The small-sized box requires only little space
- Protection for the fabric and the arms by the full cassette
- Up-to-date colours and numerous designs
- Easy operation



# Design description

## Fabric roll shaft

Ø 70 mm

## Cassette (in 2 parts) with inlying box brackets

Made from extruded and powder-coated aluminium.

## Articulated arms Secuflex 50

Made from extruded aluminium, with negative camber, powder-coated. Plastic-sheathed steel cable with inlying noise-reduced special springs.

## Extension profile

Made from extruded and powder-coated aluminium, to integrate the fabric and the flounce.

## Brackets

Made from extruded and powder-coated aluminium, for installation to the wall or ceiling.

## Inclination adjustment

With wall installation and motor drive: continuously adjustable from 5° to 60°; with wall installation and crank handle drive: continuously adjustable from 5° to 35°.

## Drive options

### a) Crank handle drive

Gear ratio 7:1, without limit stop; via crank rod with ball hook; length of the crank handle 1200, 1400 or 1800 mm; special length up to 3000 mm.

### b) Motor drive

Via tubular motor (230 V/50 Hz) with torque cut-off, pushed into the fabric roll shaft; VDE- and TÜV-certified. Noise emission level <= 70dB(A) acc. to EN ISO 12100-2:2003.

## Colour coating

As a standard, all parts of the awning are in RAL 9016 (normal white) or RAL 9006 (white-aluminium).

Special colours acc. to RAL on request.

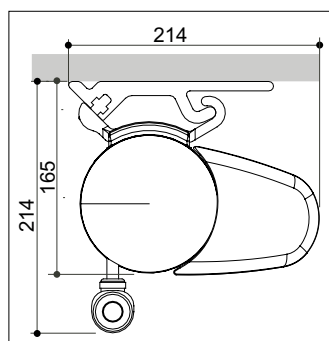
## Custom-made fabric

Acc. to current range.

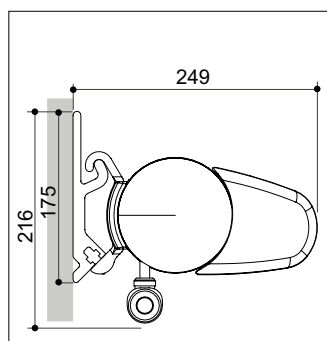


<b>Max. width:</b> Single unit Linked set	5.0 m -
<b>Max. extension:</b> Single unit Linked set	3.0 m -
<b>Design:</b>	Cassette
<b>Articulated arm:</b> Extruded aluminium, hinges made from cast aluminium.	Single cable
<b>Inclination:</b> Range of adjustment (with crank handle) Range of adjustment (with motor)	5°-35° 5°-60°
<b>Variomatic:</b> (with single units) Variable inclination adjustment up to an extension of 3.5 m	-
<b>VarioPlus Roller Blind:</b> (with single units) up to an extension of 3.5 m	-
<b>Coupleable:</b>	-
<b>Flounce:</b> 5 different forms, all fabric designs	+
<b>Arm covering profile:</b>	-
<b>Wall connection profile:</b>	-
<b>Protection cover:</b> For open awning	-
<b>Frame colours:</b> <b>a) Standard:</b> RAL 9016 White RAL 9006 Silver  <b>b) Special colours:</b> Standard colours acc. to our RAL classic colour chart are available without surcharge.  Special colours acc. to the RAL classic colour chart, such as pearl effect, metallic or fluorescent colours, as well as special colours acc. to other colour charts (e.g. DB, TIGER, NCS, Sikkens, etc.) on request.	✓ ✓  ✓
<b>Fixing:</b> Wall bracket (on concrete I) Ceiling bracket Rafter bracket	✓ + +

## Installation options



Ceiling installation



Wall installation

## Minimum widths

Extension (mm)	1500	2000	2500	3000
Single unit	1830	2420	3000	3500

✓ Included in the delivery

+ Surcharge

- not available

Qualified company:

**Head Office:**  
HELLA Sonnen- und Wetterschutztechnik GmbH  
A-9913 Abfaltersbach 125  
T. +43 (0)4846 / 65 55-0  
F. +43 (0)4846 / 65 55-134  
E: office@hella.info

www.hella.info