

# Product Information **Black out elements**

Perfect for rooms where a total black out is required

Design element when using different blinds

Stable covering with welded-in pockets for reinforcing profile (Modell EV-T)

Convenient operation due to crank or electric drive



## Models



### Black out element, Model EV

Installation in the interior of the room directly on the window frame or laterally in the recess.

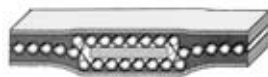
Size of box: 102 x 102 mm



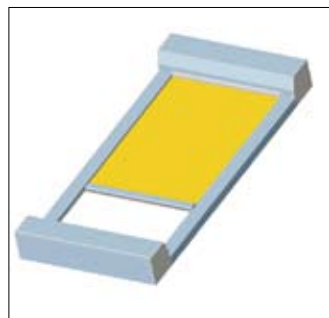
### Black out element with reinforced fabric, Model EV-T

Installation in the interior of the room directly on the window frame or laterally in the recess. Stable covering with welded-in pockets for reinforcing profile.

Size of box: 139 x 139 mm



Cross section of black out fabrics with welded-in horizontal pockets (width 25 mm) and pushed-in reinforced profile made of fibreglass (15 x 3 mm).

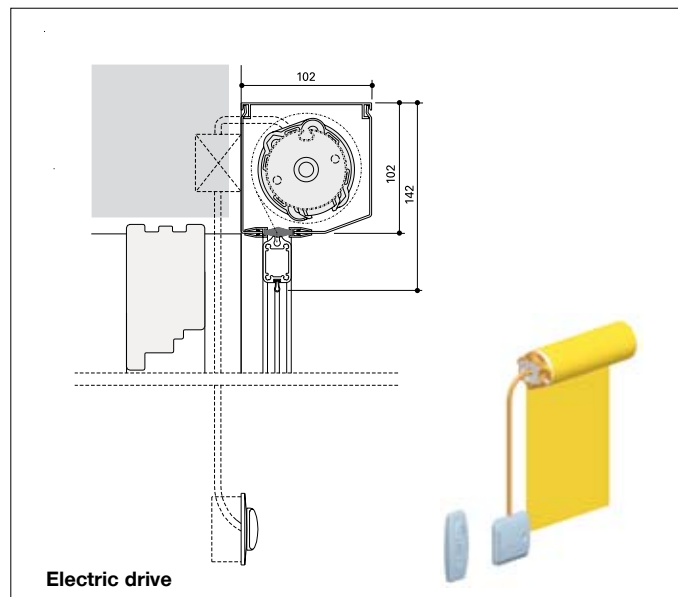
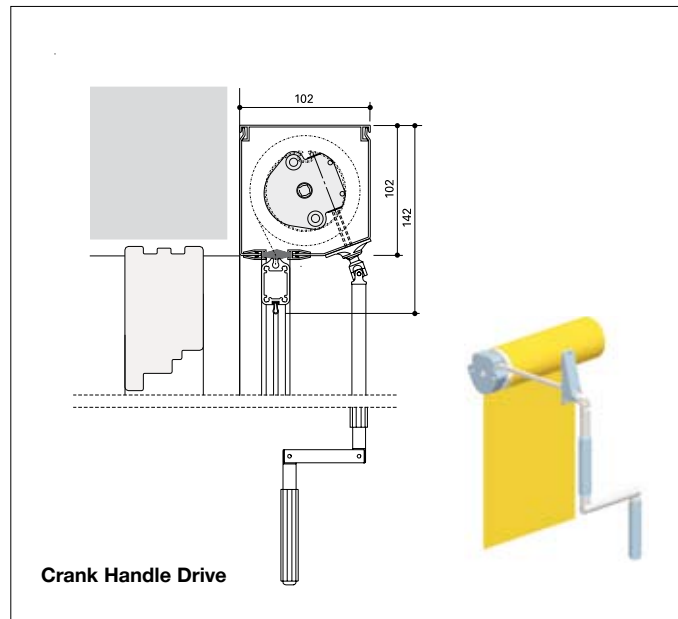


### Black Out Element with counter tension, Model EV-GZ

Suitable as shading for slanted and horizontal openings (domelights, skylights, etc.).

Size of box: 102 x 102 mm

## Types of operation



## Limit sizes

	Type of operation	max. surface (m <sup>2</sup> )	min. width (mm)	max. width (mm)	min. height (mm)	max. height (mm)
EV	Crank handle drive	6	500	2500	500	2500
	Electric drive	6	550	2500	500	2500
EV-T	Crank handle drive	8	500	3500	500	4000
	Electric drive	8	550	3500	500	4000
EV-GZ	Electric drive	5	800	2000	500	2500

### Note:

Coupling type EV:  
max. width = 4000 mm,  
max. surface = 12 m<sup>2</sup>

No coupling possible for  
types EV-T and EV-GZ!

Qualified company:

**Head Office:**  
HELLA Sonnen- und Wetterschutztechnik GmbH  
A-9913 Abfaltersbach 125  
T. +43 (0)4846 / 65 55-0  
F. +43 (0)4846 / 65 55-134  
E: office@hella.info

www.hella.info